

53-1001791-01  
January 31, 2010



# Mid-Mount Rack Kit (Switch)

---

## Installation Procedure

**Supporting PowerConnect B-200E, 300, 4100, 4900, 5000, 5100, 5300,  
7500-series, 7600, 7800, 8000, AP7420, and VA-40FC**

53-1001791-01



## Notes, Cautions, and Warnings

---

### NOTE

A NOTE indicates important information that helps you make better use of your computer.

---



### CAUTION

See the safety and regulatory information that shipped with your system. For additional regulatory information, see the Regulatory Compliance Homepage on [www.dell.com](http://www.dell.com) at the following location: [www.dell.com/regulatory\\_compliance](http://www.dell.com/regulatory_compliance).

---



### CAUTION

A CAUTION indicates potential damage to hardware or loss of data if instructions are not followed.

---



### DANGER

A DANGER indicates a potential for property damage, personal injury, or death.

---

---

Information in this document is subject to change without notice.

© 2009 Dell Inc. All rights reserved.

Reproduction of these materials in any manner whatsoever without the written permission of Dell Inc. is strictly forbidden.

Trademarks used in this text: *Dell*, the *DELL* logo, *Inspiron*, *Dell Precision*, *Dimension*, *OptiPlex*, *Latitude*, *PowerEdge*, *PowerVault*, *PowerApp*, *Dell OpenManage* and the *YOURS IS HERE* logo are trademarks of Dell Inc.; *Intel*, *Pentium*, and *Celeron* are registered trademarks of Intel Corporation in the U.S. and other countries; *Microsoft*, *Windows*, *Windows Server*, *MS-DOS* and *Windows Vista* are either trademarks or registered trademarks of Microsoft Corporation in the United States and/or other countries.

Other trademarks and trade names may be used in this document to refer to either the entities claiming the marks and names or their products. Dell Inc. disclaims any proprietary interest in trademarks and trade names other than its own.

Regulatory Model Codes: Brocade DCX-4S, Brocade DCX

# In this guide

- Introduction. . . . . 3
- Installation requirements. . . . . 3
- Tool requirements and parts list. . . . . 4
- Installation procedure . . . . . 5
- Attaching front brackets to switch. . . . . 6
- Attaching front rails to a cabinet. . . . . 6
- Attaching rear brackets to a cabinet. . . . . 7
- Attaching rear bracket to switch . . . . . 8

# Introduction

This document provides instructions to install a 1U, 1.5U, or 2U switch (or SAN Router) in a telecommunications (Telco) cabinet using the Mid-Mount Kit.

The supported switches are listed in [Table 1](#).

**TABLE 1** Supported switches

Switch height	Switch model
1U	PowerConnect B-200E
	PowerConnect B-300
	PowerConnect B-4100
	PowerConnect B-5000
	PowerConnect B-5100
	PowerConnect B-7500 series
	PowerConnect B-7600
	PowerConnect B-7800
	PowerConnect B-8000
	PowerConnect B-VA-40FC
2U	PowerConnect B-4900
	PowerConnect B-5300
	PowerConnect B-AP7420

# Installation requirements

Allow 15 to 30 minutes to complete this procedure. Note the following requirements to ensure correct installation and operation:

- Verify that the additional weight of the switch does not exceed the cabinet's weight limits.

- Ensure that an electrical branch circuit with the following characteristics is available:
  - Required voltage and frequency as indicated in the hardware reference manual. (200-230 VAC is always preferred)
  - Protection by a circuit breaker in accordance with local electrical codes.
  - Supply circuit, line fusing, and wire size that conform to the electrical rating on the switch nameplate.
  - Grounded outlet compatible with the power cord and installed by a licensed electrician.
- Ensure that all equipment installed in the cabinet is grounded through a reliable branch circuit connection. Do not rely on a secondary connection to a branch circuit, such as a power strip.
- Ensure that the cabinet is mechanically secured to ensure stability.
- Ensure that the air temperature at the fan inlet is less than 104° Fahrenheit (40° Celsius) during switch operation.
- Ensure that the airflow available at the air vents meets the minimum requirements for the switch.

---

**ATTENTION**

Install the switch with the fan side facing the air-intake aisle. The chassis air intake is on the fan side and exhaust is on the port side.

---

## Tool requirements and parts list

The following items are required to install a switch using the mid-mount rack kit:

- Clamps or other means of temporarily supporting the switch in the cabinet.
- Phillips #2 screwdriver with torque capability.
- 1/4 in. slotted-blade screwdriver with torque capability.

---

**ATTENTION**

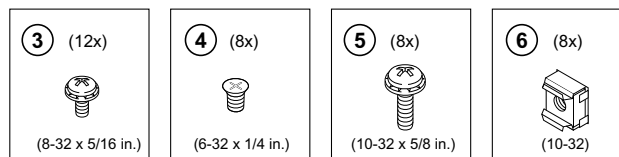
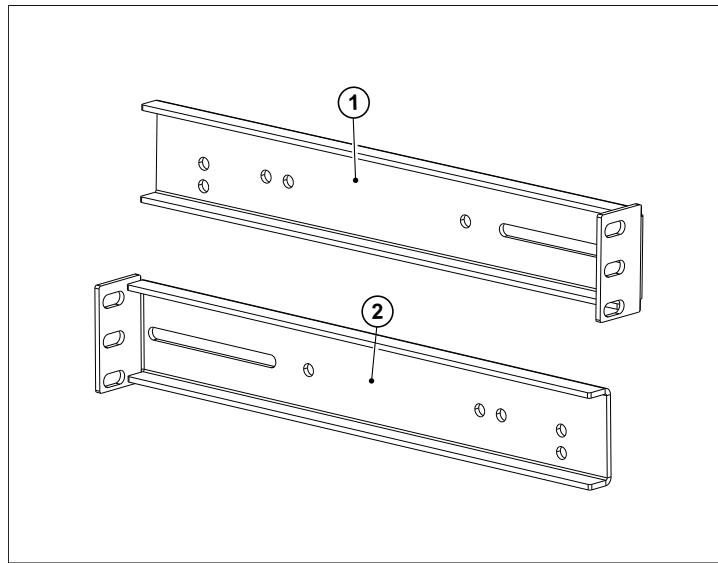
Use the screws specified for use with the switch. Longer screws can damage the switch.

---

Ensure that the items listed in [Table 2](#) and illustrated in [Figure 1](#) are included in the kit.

**TABLE 2**    Parts list

Item	Description	Quantity
1	Bracket, front right	1
2	Bracket, front left	1
3	Screw, 8-32 x 5/16 in., panhead Phillips (torque to 15 in.-lbs, 17 cm-kgs)	12
4	Screw, 6-32 x 1/4 in., flathead Phillips (torque to 9 in.-lbs, 10 cm-kgs)	8
5	Screw, 10-32 x 5/8 in., panhead Phillips (torque to 25 in.-lbs, 29 cm-kgs)	8
6	Retainer nut, 10-32	8



- |   |  |
|---|--|
| <p>1 Bracket, front right<br/>Bracket, back left</p> <p>2 Bracket, front left<br/>Bracket, back right</p> <p>3 Screw, 8-32 x 5/16 in., panhead Phillips</p> | <p>4 Screw, 6-32 x 1/4 in., flathead Phillips</p> <p>5 Screw, 10-32 x 5/8 in., panhead Phillips</p> <p>6 Retainer nut, 10-32</p> |
|---|--|

**FIGURE 1** Items in Mid Mount Rack Kit

## Installation procedure

---

### ATTENTION

The switch must be turned off and disconnected from the fabric during this procedure.

---

### NOTE

Although this document describes how to install a 1U, 1.5U, and 2U switch, the illustrations show a 2U switch as a typical installation.

---

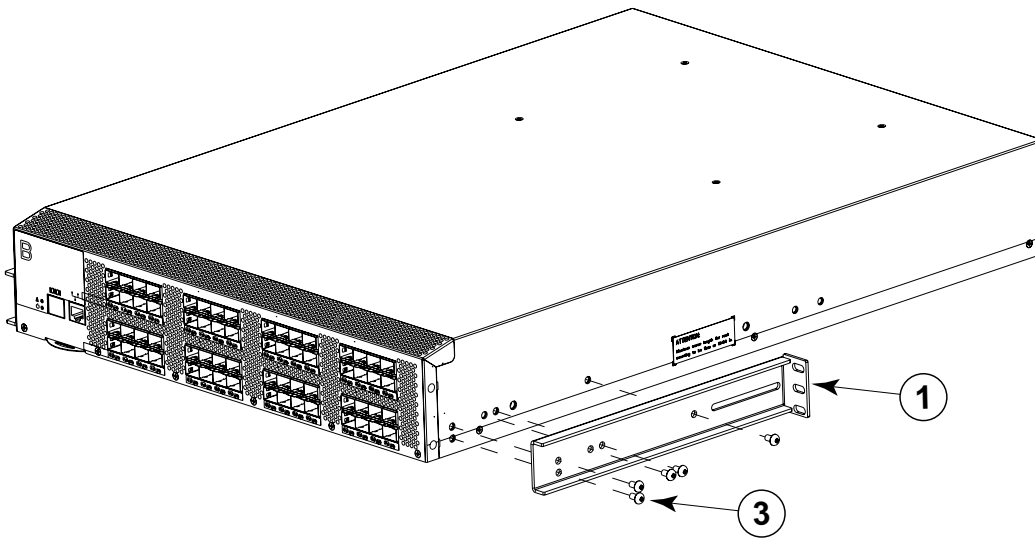
Complete these tasks to install the switch in a cabinet:

- [“Attaching front brackets to switch”](#)
- [“Attaching front rails to a cabinet”](#)
- [“Attaching rear brackets to a cabinet”](#)
- [“Attaching rear bracket to switch”](#)

## Attaching front brackets to switch

Complete the following steps to attach the front brackets to the switch.

1. Position the right front bracket (Item 1) with the flat side against the right side of the switch (Figure 2).
2. Insert two 8-32 x 5/16 in. screws (Item 3) into one of the pairs of vertically aligned holes in the bracket and then into the pair of holes on the side of the switch. To install the switch in a recessed position in the cabinet, use the bracket holes that are set back from the end of the bracket.
3. Insert each 8-32 x 5/16 in. screw (Item 3) through the holes in the bracket and into the corresponding hole in the switch.
4. Tighten all 8-32 x 5/16 in. screws to a torque of 15 in.-lbs (17 cm-kgs).
5. Repeat [step 1](#) through [step 4](#) to attach the left front bracket (Item 2) to the left side of the switch.



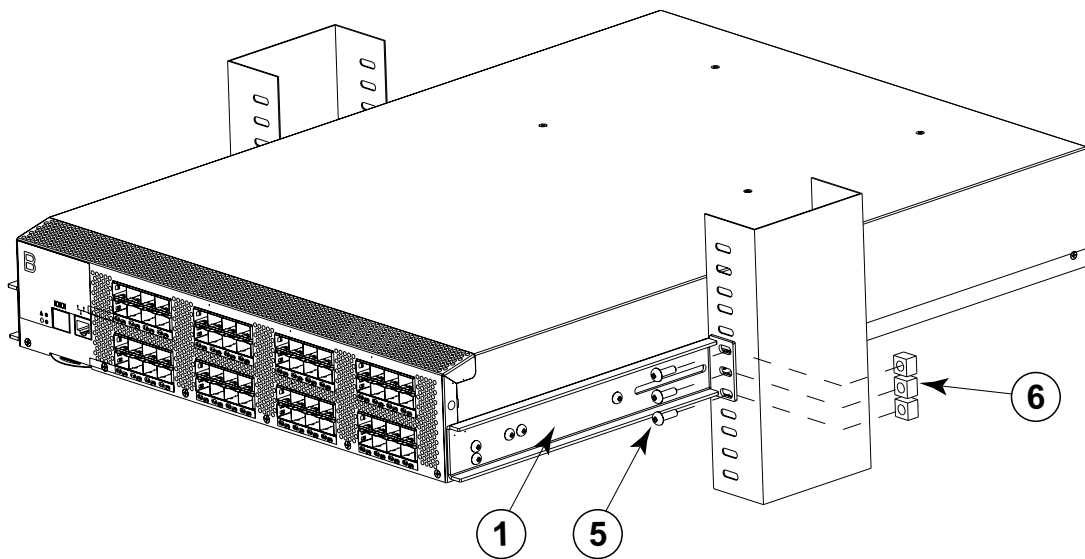
- 1 Bracket, front right                      3 Screw, 8-32 x 5/16 in., panhead Phillips

**FIGURE 2** Attaching the front bracket

## Attaching front rails to a cabinet

Complete the following steps to install the switch in the cabinet.

1. Position the switch in the cabinet (Figure 3), providing temporary support under the switch until the rail kit is secured to the cabinet.
2. Attach the right front bracket (Item 1) to the right front rack rail using three 10-32 x 5/8 in. screws (Item 5) and three retainer nuts (Item 6).
3. Repeat [step 2](#) to attach the left front bracket (Item 2) to the left front rack rail.
4. Tighten all 10-32 x 5/8 in. screws (Item 5) to a torque of 25 in.-lbs (29 cm-kgs).



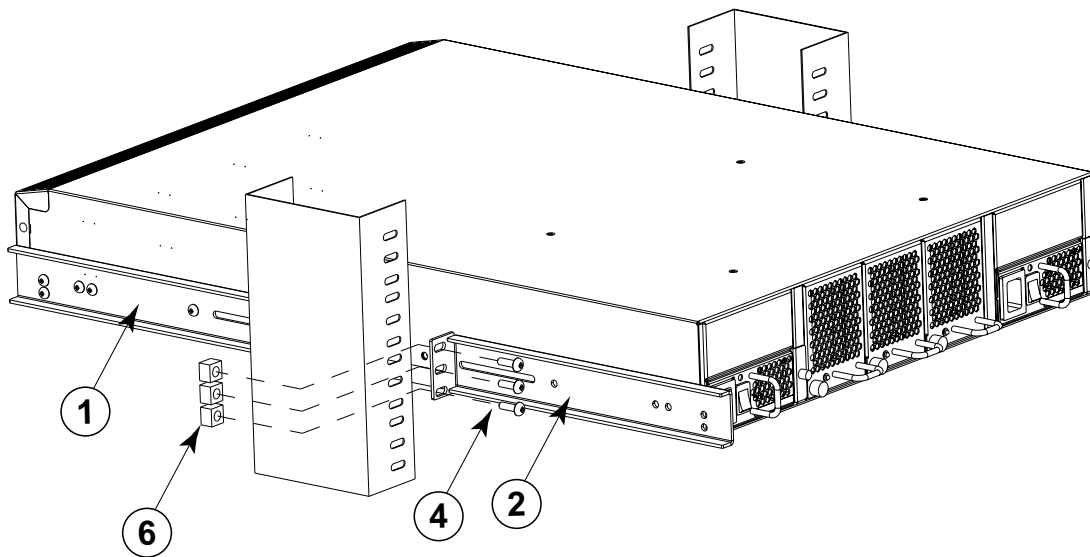
- 1 Bracket, front right
- 5 Screw, 10-32 x 5/8 in., panhead Phillips
- 6 Retainer nut, 10-32

**FIGURE 3** Attaching front rails to a cabinet

## Attaching rear brackets to a cabinet

Complete the following steps to attach the rear brackets to the cabinet.

1. Position the right rear bracket (Item 2) in the right rear of the switch ([Figure 4](#)).
2. Attach the brackets using three 6-32 x 1/4 in. screws (Item 4) and retainer nuts (Item 6).
3. Adjust the brackets to cabinet depth and tighten the Item 6 screws to a torque of 9 in.-lbs (10 cm-kgs).
4. Repeat [step 1](#) through [step 3](#) to attach the left rear bracket (Item 1).



- |                        |  |
|------------------------|--|
| 1 Bracket, front right | 4 Screw, 6-32 x 1/4 in., flathead Phillips |
| 2 Bracket, rear right  | 6 Retainer nut, 10-32                      |

**FIGURE 4** Attaching the rear brackets to a cabinet

## Attaching rear bracket to switch

Complete the following steps to attach the rear brackets to the switch.

1. Align the right rear bracket (Item 2) to the right rear of the switch and using two 10-32 x 5/8 in. screws (Item 5) attach the bracket to the switch (Figure 5).
2. Repeat [step 1](#) to attach the left rear bracket (Item 1) to the left rear of the switch.
3. Tighten the 10-32 x 5/8 in. screws (Item 5) to a torque of 25 in.-lbs (29 cm-kgs).

---

### ATTENTION

Connect the power cords to a grounded outlet only. Ensure that any power cord is routed so that it is not exposed to stress. Leave a minimum service loop of 6 in. in the power cord(s) at the connection to switch. This allows enough freedom of movement to plug and unplug the power cord(s).

---

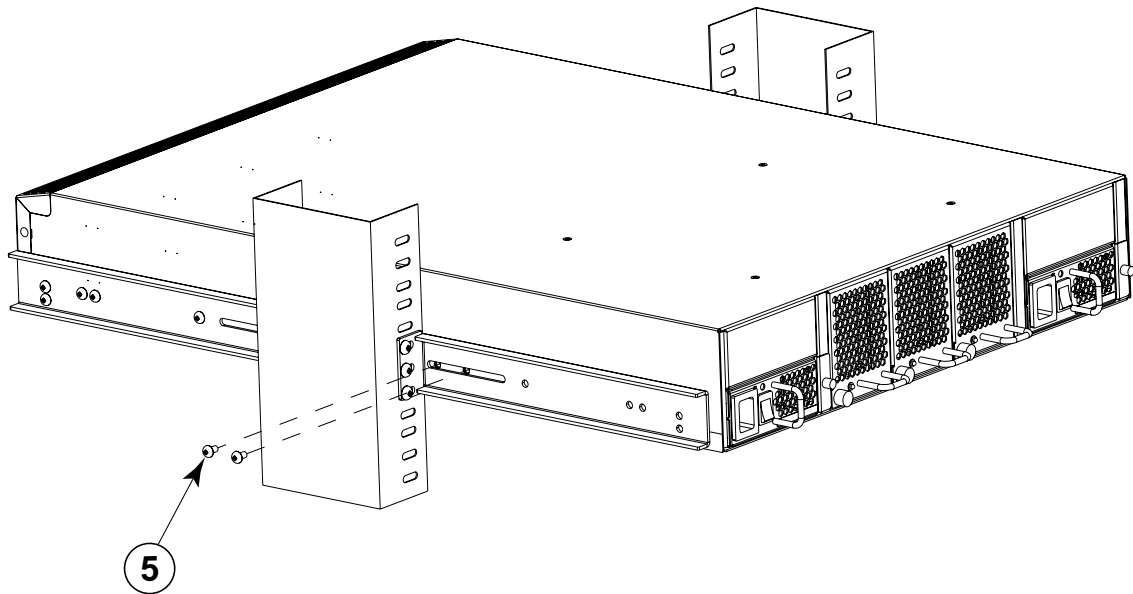
4. Provide power to the switch by connecting the power cord(s) to the power connectors on the switch and a power outlet. Some switches require you to flip a power switch to be powered on.
- 

### NOTE

Do not connect the switch to the network until the IP address is correctly set. Refer to the appropriate hardware reference manual for information on setting the IP address for the switch.

---





5 Screw, 10-32 x 5/8 in., panhead Phillips

**FIGURE 5** Attach the rear bracket to the switch

